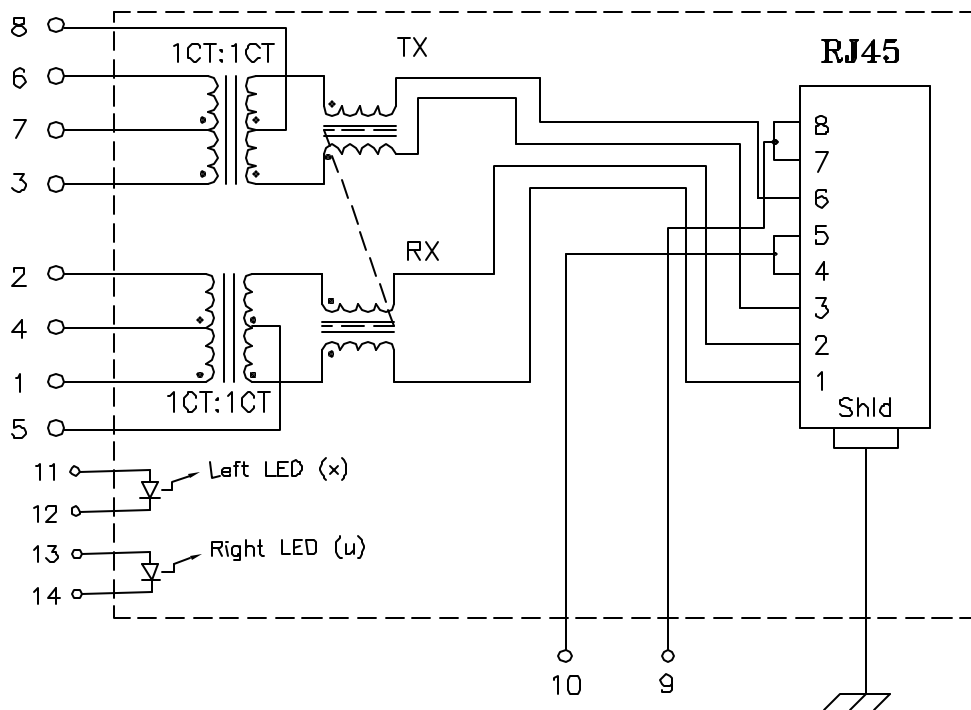


Schematic:



Electrical Specifications: @25°C

Isolation Voltage: 2250 Vdc (Input to Output)
 Isolation Voltage: 500 Vrms (P1+2+4 to P3+6+7)
 Isolation Voltage: 500 Vrms (P9+10 to J1+3 & P8)
 Isolation Voltage: 500 Vrms (P9 to P10)
 Turns Ratio: TX 1CT:1CT ±3% RX 1CT:1CT ±3%
 Q: 16 Min @100KHz 0.1V
 Insertion Loss: -1.2dB Max @1-100 MHz
 Return Loss: 1-30MHz 40MHz 50MHz 60-80MHz

-16dB -14dB -13dB -12dB (Min)
 Differential to Common Mode Rejection:

	30MHz	60MHz	100MHz
	-50dB	-43dB	-35dB (Min)
Cross Talk:	30MHz	60MHz	100MHz
	-43dB	-37dB	-33dB (Min)

DC Current: 350mA through the xfmr center taps.
 DC Current: 1.5A/pin, J4,5,7&8.

Notes:

- Solderability: Leads shall meet MIL-STD-202G, Method 208H for solderability.
- Flammability: UL94V-0
- ASTM oxygen index: > 28%
- Insulation System: Class F 155°C. UL file E151556
- Operating Temperature Range: All listed parameters are to be within tolerance from -40°C to +85°C
- Storage Temperature Range: -55°C to +125°C
- Aqueous wash compatible
- Electrical and mechanical specifications 100% tested
- RoHS Compliant Component

DOC. REV: A/15

PROPRIETARY:

Document is the property of XFMRs Group & is not allowed to be duplicated without authorization.

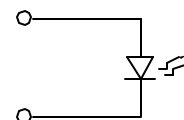
Complete the Combo P/N as follows:

Replace 'x' & 'u' in the part number with one of the LED color letters:

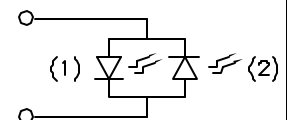
Y=Yellow 'x' = Left LED Color
 G=Green 'u' = Right LED Color
 A=Amber
 R=Red

N=Yellow(1)/Green(2) Bicolor
 M=Green(1)/Yellow(2) Bicolor
 C=Green(1)/Amber(2) Bicolor

Single Color LED:



Bi-Color LED:



XFMRs Inc.
 www.XFMRs.com

Title: **SINGLE PORT COMBO**

UNLESS OTHERWISE SPECIFIED
 TOLERANCES:

.xxx ±0.010

Dimensions in Inch

SHEET 1 OF 2

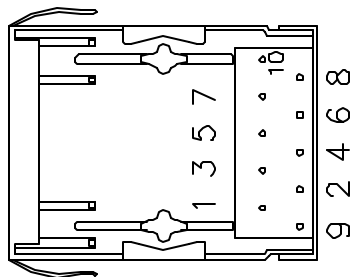
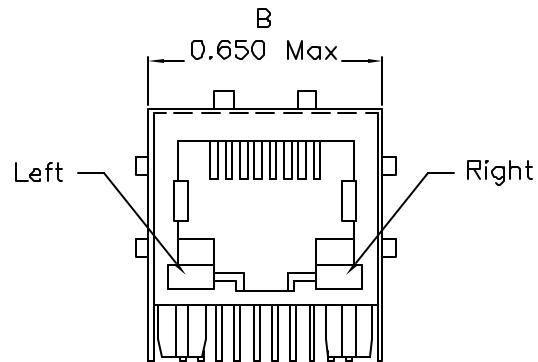
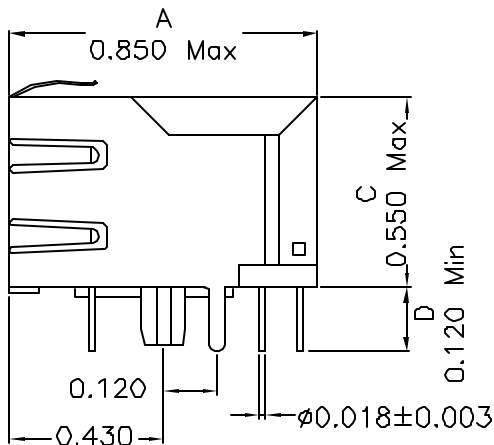
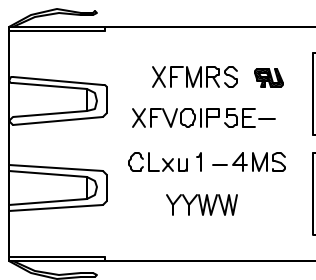
P/N: XFV0IP5E-CLxu1-4MS REV. A

DWN. Juan Mao Jul-01-08

CHK. YK Liao Jul-01-08

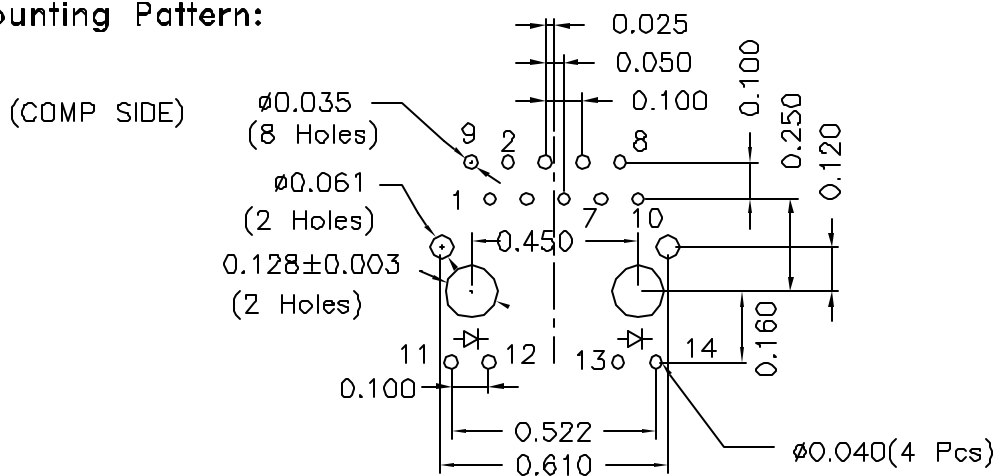
APP. BW Jul-01-08

Mechanical Dimensions:



{BOTTOM VIEW}

Mounting Pattern:



DOC REV: A/15

XFMRs Inc. www.XFMRS.com	Title: Mechanical Dimensions For CLxu1-4MS Series		
	UNLESS OTHERWISE SPECIFIED TOLERANCES: .xxx ±0.010 Dimensions in Inch	P/N: XFOIP5E-CLxu1-4MS	REV. A
	CHK. YK Liao Jul-01-08		APP. BW Jul-01-08
SHEET 2 OF 2			

PROPRIETARY:

Document is the property of XFMRs Group & is not allowed to be duplicated without authorization.